

2.4mm Connector Data Sheet

■ P2M-S00 Series

(2.4mm 2-Hole Panel Mount Plug)

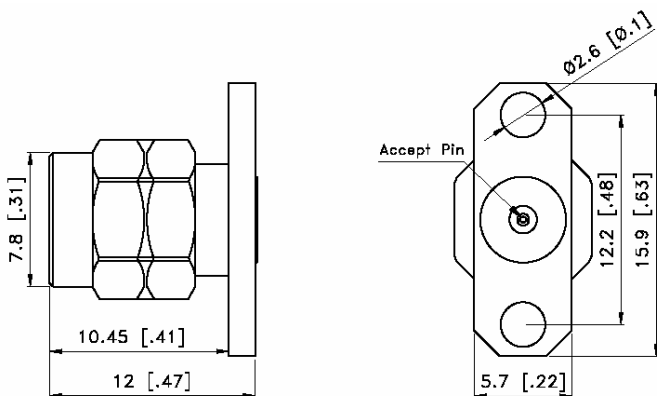


Technical Data

Electrical Data	Impedance	50 Ω
	Max. Frequency	50 GHz
	Insulation Resistance	Min. 5 GΩ
Environmental Data	Operating Temp.	
	RoHS	Compliant

Material Data		Material	Surface Plating
	Center Contact	BeCu	Gold Plating on Ni
	Body	Stainless Steel	Passivated
	Insulator	Rigid Plastic	
	Coupling Nut	Stainless Steel	Passivated

Outline Drawing



Unit : mm [inch]

Part Number

Part No. (OLD P/N)	Accept Pin	Glass bead cut off frequency
P2M-S00-000 (OLD: P2M-S00-1cc)	0.30 [0.012]	65GHz
P2M-S00-001 (OLD: P2M-S00-2cc)	0.38 [0.015]	28GHz
P2M-S00-002 (OLD: P2M-S00-3cc)	0.46 [0.018]	18GHz
P2M-S00-003 (OLD: P2M-S00-4cc)	0.51 [0.020]	8GHz